



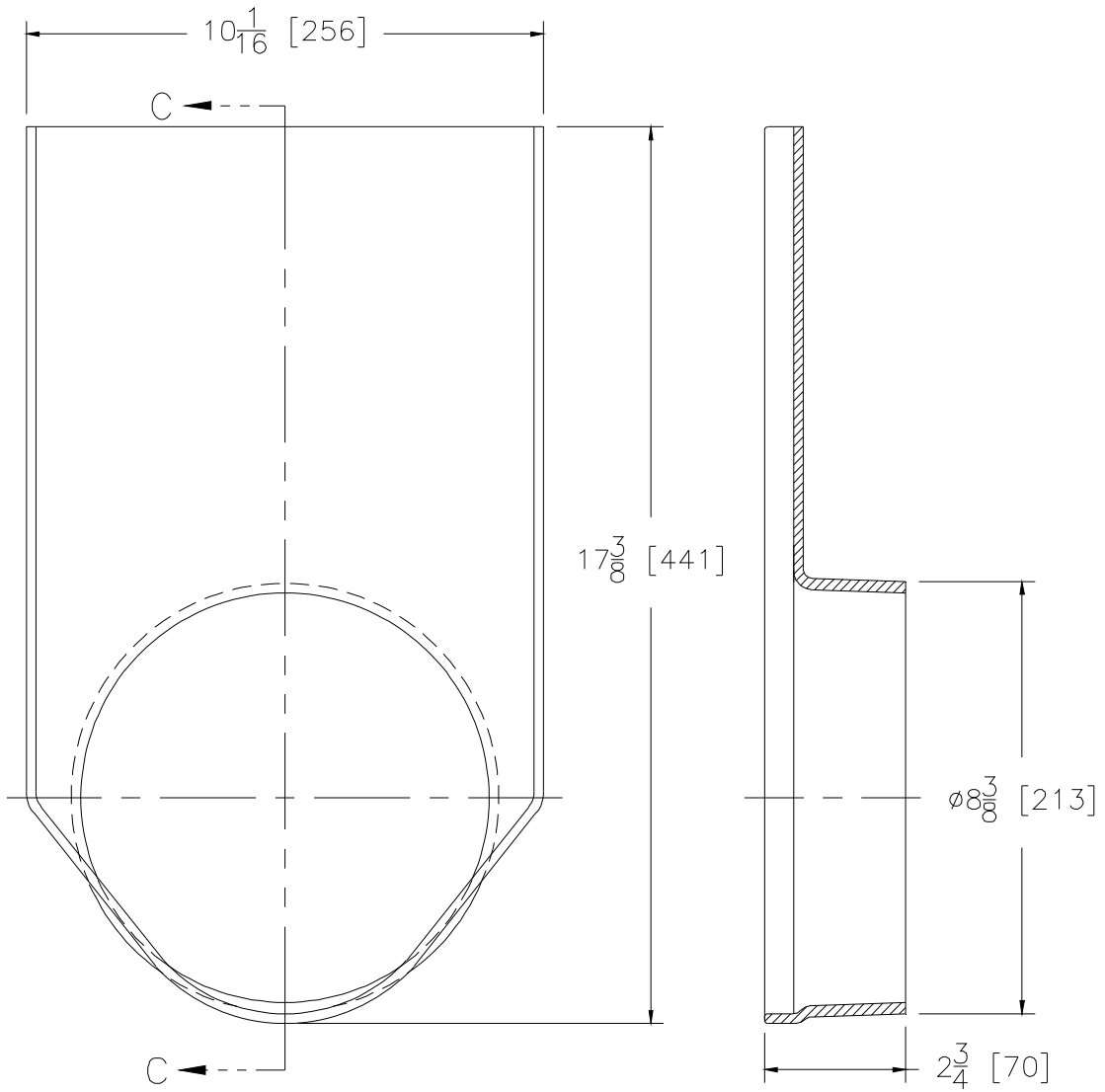
Z812 End Outlets

Dimensional Data (inches and [mm]) are Subject to Manufacturing Tolerances and Change Without Notice

| Please Check ✓ | Item No. | Part Number | Item I.D. |
|-------------------|----------|-------------|-----------|
| | 3 | 570730196 | P812-E8 |

ENGINEERING SPECIFICATION: ZURN Z812-E8

8 [203] No-Hub End Outlet for 12 [301] wide Trench Drainage System. Outlet is made of 7/32 [6] thick fiberglass and is designed for No-Hub applications using an adapter (Supplied by other). A minimum trench invert of 6 [152] is recommended to allow adequate amount of concrete on top. ****Unit to be cut in field per channel depth.**



Supplied By:

**TRENCHDRAIN
SUPPLY**

877-903-7246

www.trenchdrainsupply.com